

USA train series Collectors Edition

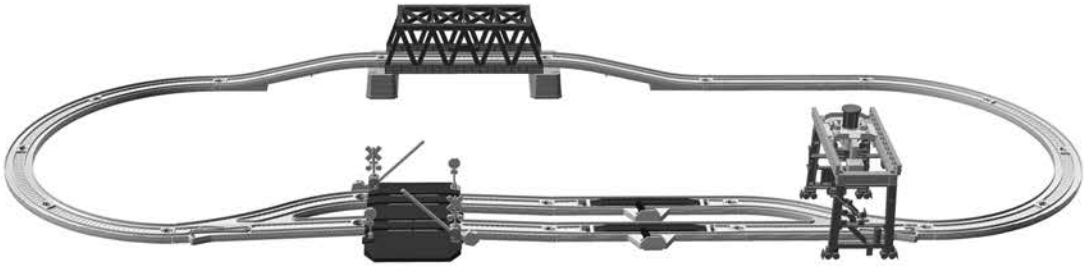
BNSF Burlington Northern Santa Fe Railway

1996

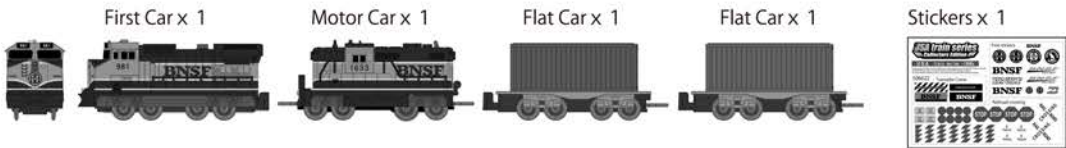
<506622>

Instructions

Suggested use



Comes with



Straight train track x 2



Locking switch train track x 2



Straight half size train track x 2



Riser train track A x 1
Riser train track B x 1



Y straight train track A x 1



Y straight train track B x 1



Curve train track x 8



Railroad Crossing

Railroad Crossing x 1



Crossing Sign x 2 Crossing Signal x 2

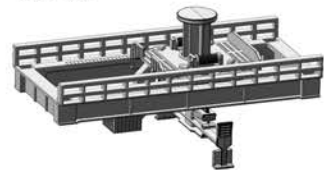


Bridge column x 2



Transfer crane

Crane x 1



Crane side A x 1

Crane side B x 1



Steel Bridge

Steel Bridge Side x 2



Steel Bridge Top x 1

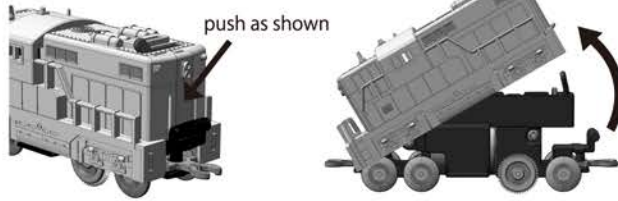


How to use

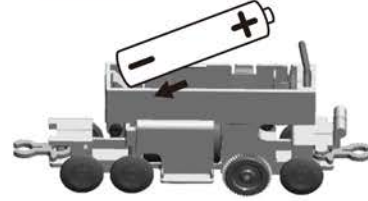
How to insert battery

Insert battery into the Motor Car

- ① Push the lock of the Train cover to lift and remove it

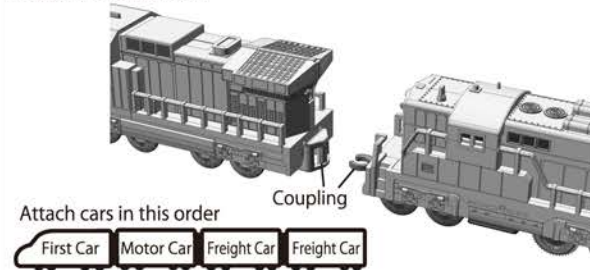


- ② Insert battery minus side first as shown
Excessive force may damage batteries and this item



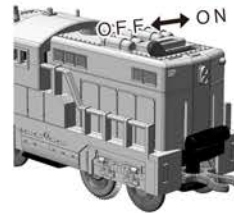
How to connect this item

Attach hooks as shown



How to turn on and off

Use the lever as shown



Use caution hair may become caught in this item's winding action

⚠ Caution

Please read before use and keep for reference

⚠ Train set safety

- ① Do not ingest this item or give to children under 3 years of age
- ② This item may have sharp edges and can cause injury to such things as eyes. Do not step on this item
- ③ Keep out of reach of children under 3 years of age
- ④ Supervise children who play with this item
- ⑤ Do not use near fire or heated place
- ⑥ Do not drop this item or use excessive force
- ⑦ Use caution when handling this item
- ⑧ This item is made of soft plastic and may bend with use. You may bend it back into shape

⚠ Motor car safety

Failure to configure battery correctly may result in damage

- ① Do not use rechargeable batteries with this item
- ② Insert the battery in its proper orientation
- ③ Remove battery when not in use
- ④ Do not push this item by hand, gears may be damaged
- ⑤ Follow battery label instructions
- ⑥ Use caution when changing batteries

Materials used

Train	Train Cover•Base•Wheels•Switch : Acrylonitrile butadiene styrene Hook: Polycarbonate Wheel: Rubber Gear: Polyacetal Axle•Battery ground•Screw: Steel
Structure	Main body: Polypropylene

*Size, shape and color may vary

MADE IN CHINA
SHANTOU CITY, GUANDONG PROVINCE,



⚠ WARNING:

CHOKING HAZARD — Small parts not for children under 3 years or any individuals who have a tendency to place inedible objects in their mouths.



LEC U.S.A. Corporation

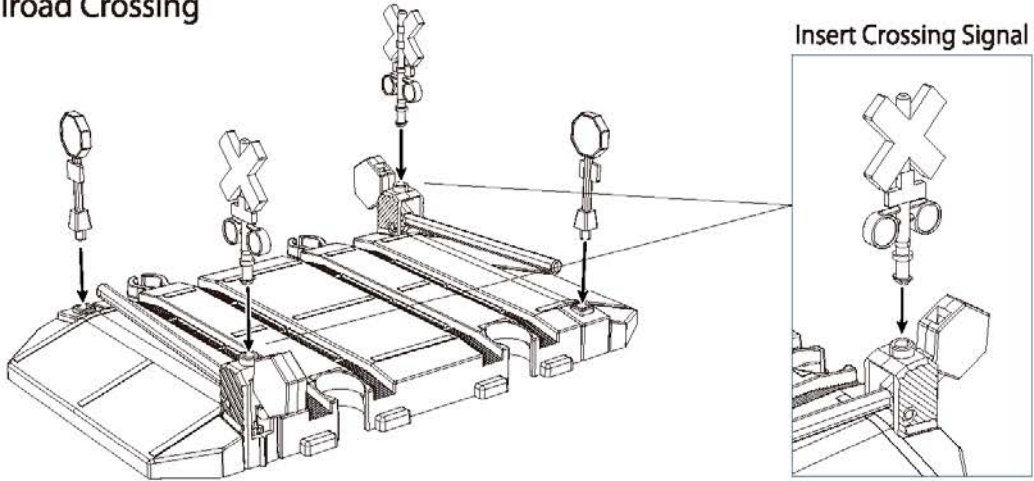
One Bridge Plaza Fort Lee, NJ 07024, USA

<http://www.lecincusa.com>

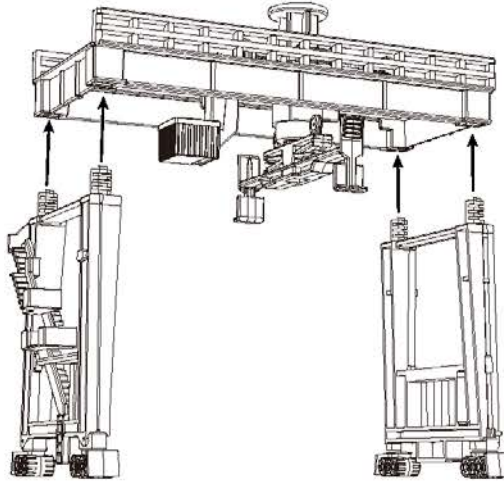
Retain package and use it to store the entire diorama

How to assemble ※Attach as shown

Railroad Crossing

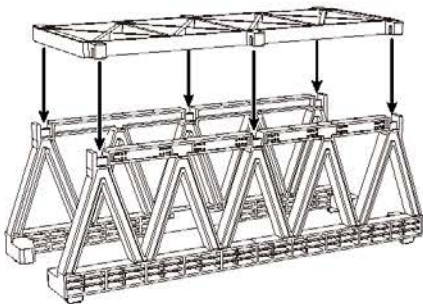


Transfer crane

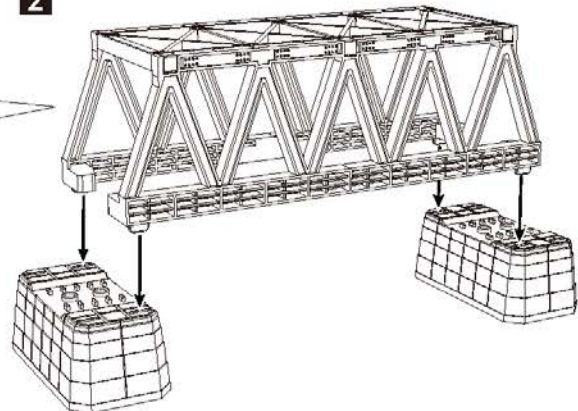


Steel bridge

1 ※Connect the top first



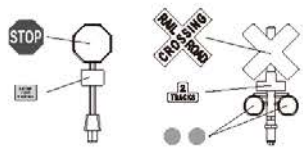
2



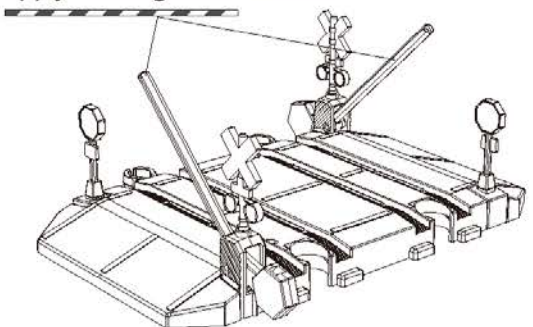
How to use stickers

※Mount as shown

Railroad Crossing




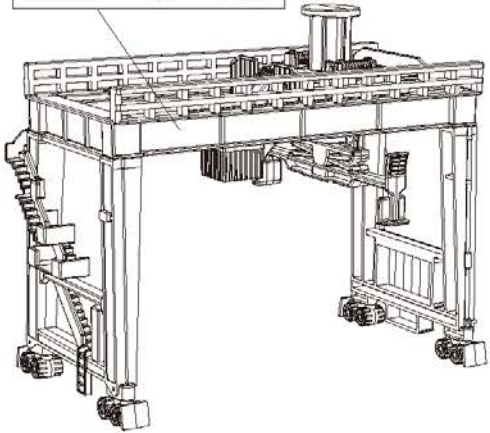
Apply Crossing Guard Stickers



Transfer crane

※Choose your favorite stickers to improve the diorama

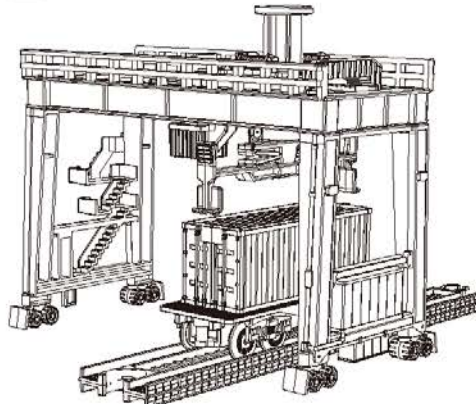




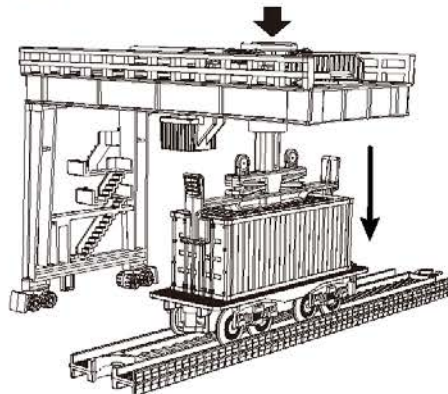
How to use Transfer crane

Transfer crane

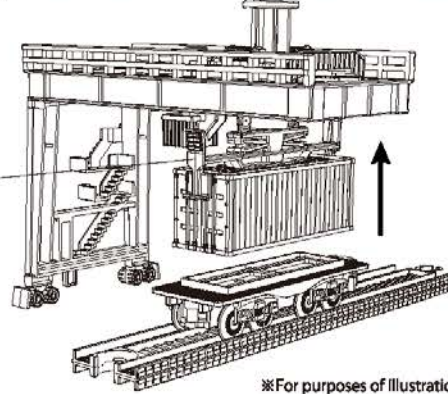
1 Line up the Freight Car under the Crane

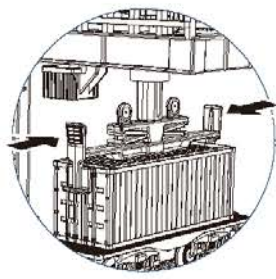


2 Push the button to lower the Crane



3 Release the button to raise the container





Press Crane grip to release container

※For purposes of illustration only